

SERVO SYSTEMS CO.

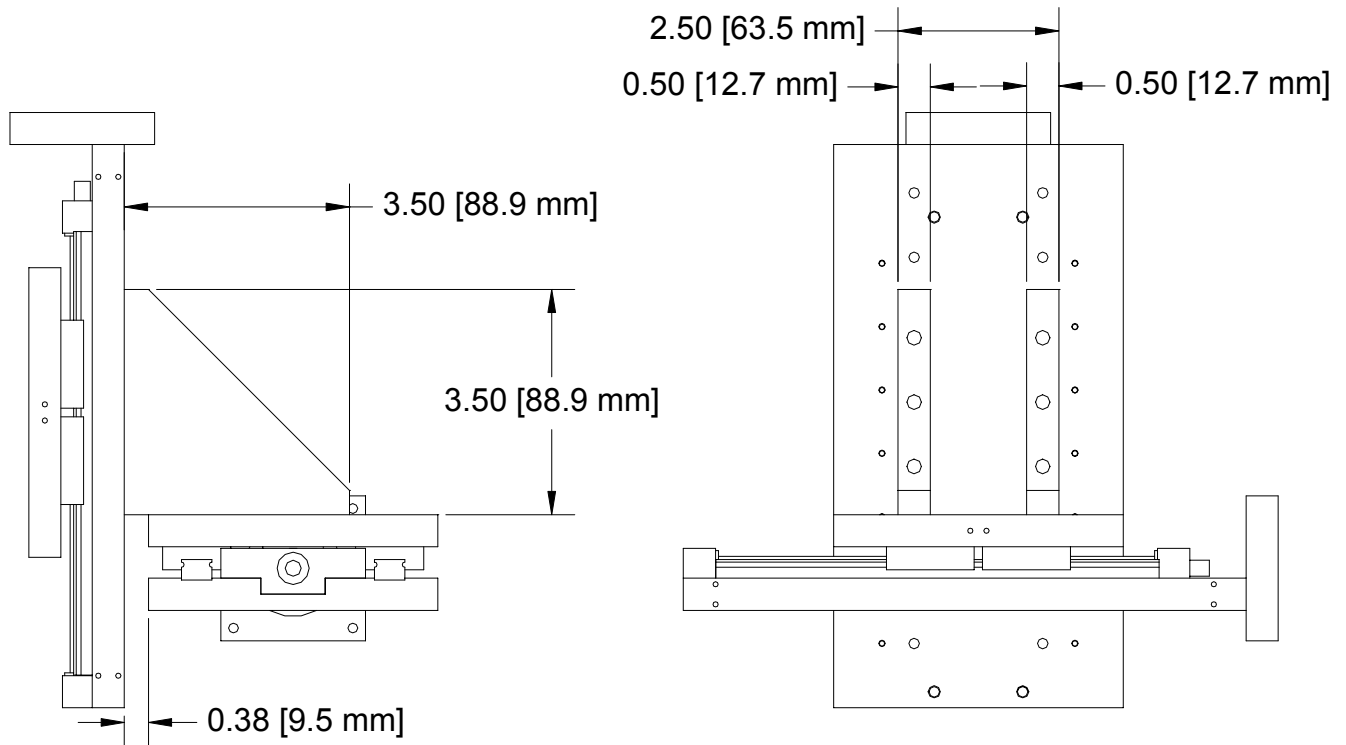
Low Profile Series Linear Stages - Accessories

Model: LPS-ZB

Description: Z-axis Bracket (set of two)

Mount: Z-axis bracket is mounted to the top of either an X or a Y stage using the 8-32 counter-bore holes on the axis' base plate

Dimensions:



Price: Contact Servo Systems Co. via phone or e-mail for pricing information.

Servo Systems Co. can configure any of our **Low Profile Series** stages in X-Y and X-Y-Z configurations. In addition, we can complete this linear system with any step motor, servo motor, or SmartMotor™ that is needed for your application.