

# SERVO SYSTEMS CO.

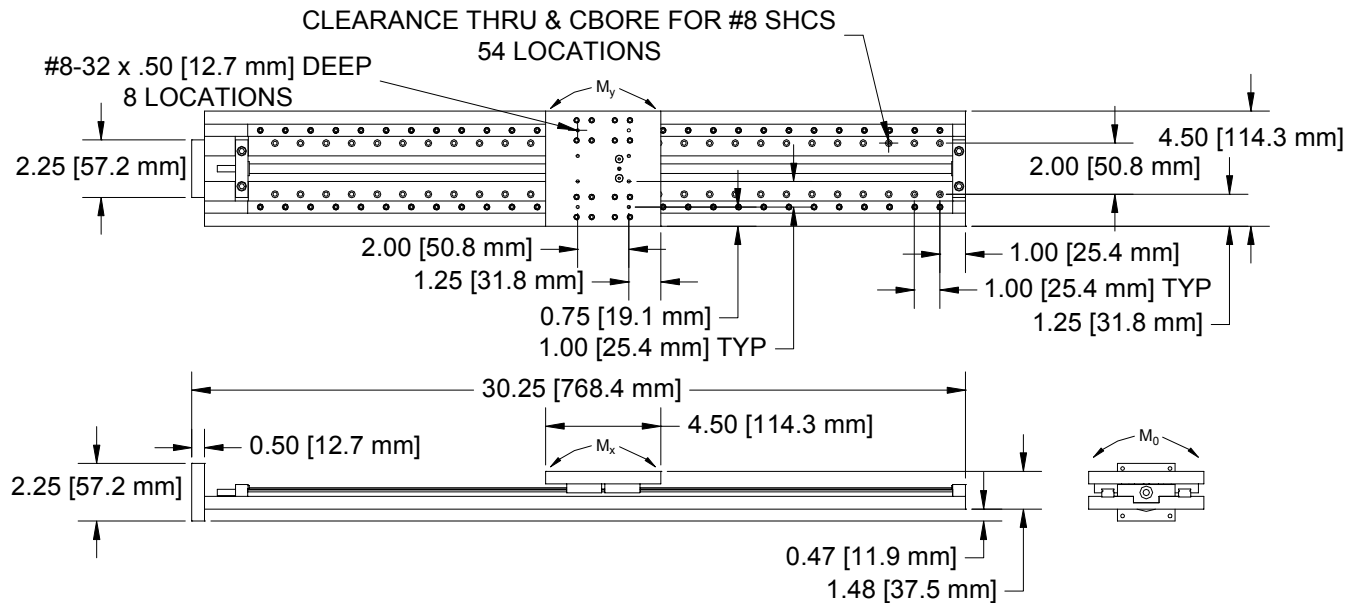
## Low Profile Series Linear Stages

**Model:** LPS-24-20

**Description:** 24 inch travel linear stage with anti-backlash lead-screw assembly, profiled linear rails, and four (two per rail) linear bearings

**Motor Mount:** Standard NEMA 23

**Dimensions:**



**Specifications:**

<b>Unit Weight</b>	9.5 lb.	<b>Linear Speed</b>	16 in./sec.
<b>Moving Mass</b>	1.312 lb.	<b>Leadscrew Efficiency</b>	83%
<b>Travel Length</b>	24.69 in.	<b>Bidirectional Repeatability</b>	0.0005 in.
<b>Screw Inertia</b>	2.738E-05 lb.-in.-sec. <sup>2</sup>	<b>Pricing Information</b>	<b>LPS-24-20*</b>
<b>Axial Moment (<math>M_o</math>)</b>	180.50 in.-lb.	<b>Optional Accessories</b>	<b>LPS-MFT*</b> Mounting Foot <b>LPS-xLS*</b> Dual Position Limit / Home Sensors <b>LPS-MCH*</b> Manual Crank Handle <b>LPS-MSH*</b> Motor Shaft Crank Handle - fits 1/4" rear motor shaft <b>LPS-ZB*</b> Z-axis Bracket
<b>Perpendicular Moments (<math>M_x</math> &amp; <math>M_y</math>)</b>	97.21 in.-lb.		
<b>Maximum Dynamic Load</b>	20 lb.		
<b>Payload</b>	18.688 lb.		
<b>Drag Torque</b>	3 oz.-in.		
<b>Standard Lead</b>	1.0 in./rev.		

Notes: Stock screw pitches come in 1 in., .5 in., .25 in., and .2 in.; other screw pitches available upon request

\*Contact Servo Systems Co. via phone or e-mail for pricing information

