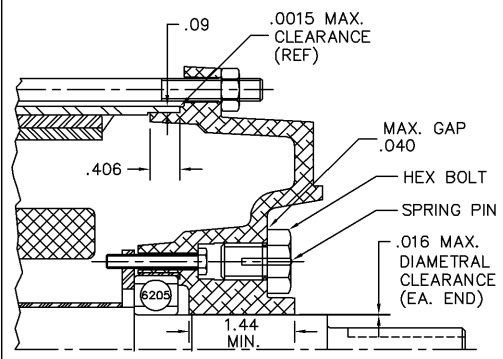
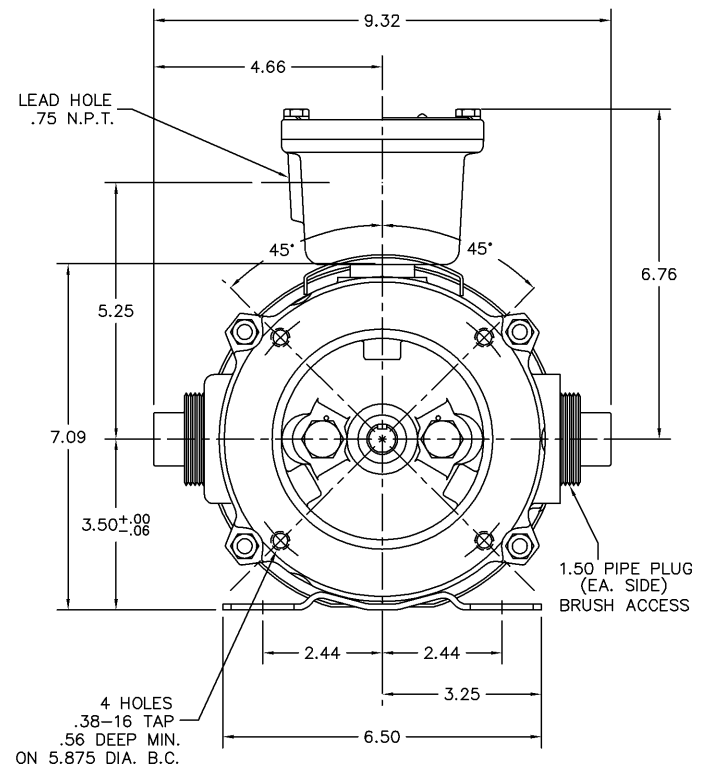
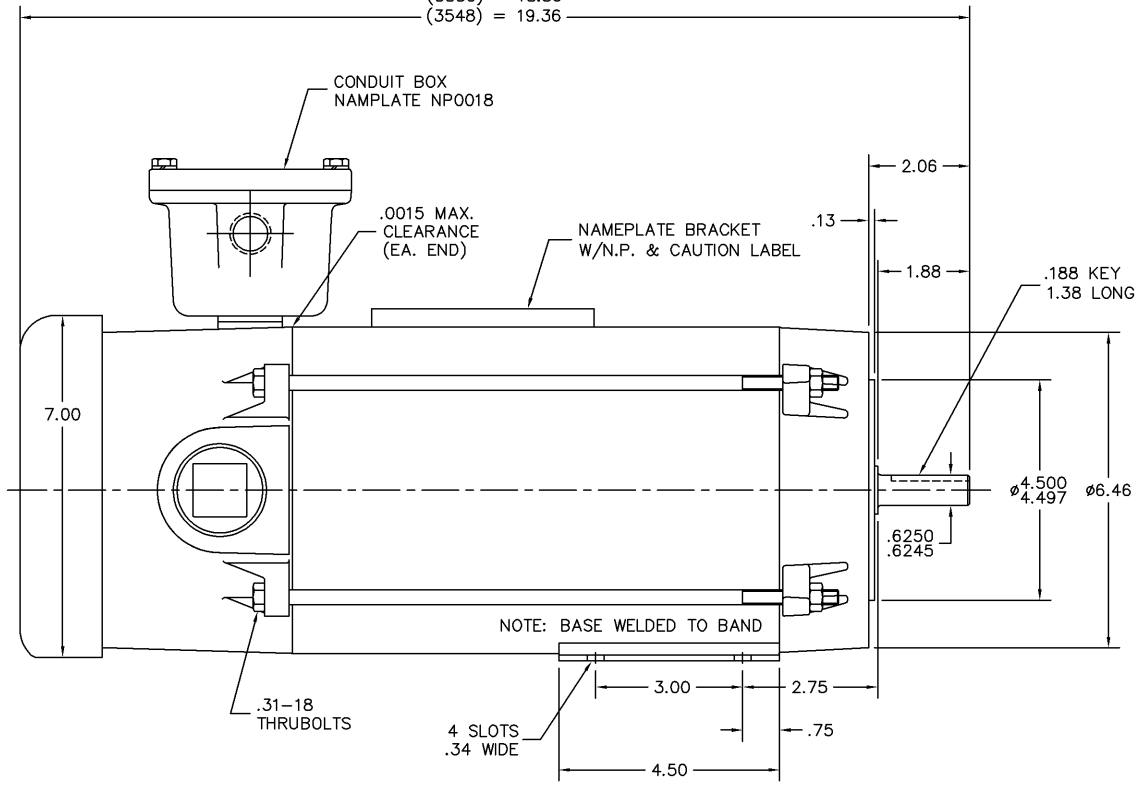


(3524) = 17.30
 (3536) = 18.36
 (3548) = 19.36



CUST. NAME		CUST. P.O.		CERTIFIED BY		MODEL		INSUL		AMB	
H.P.	MTG	TYPE	R.P.M.	VOLTS		ENCL	PHASE	FREQ	FRAME		
REV. DESC: CHG'D 35EP3702A01 TO A06											
REV. LTR: E	BY: JD	REVISED: 06/20/00 7:27	TDR: 0212827								
FILE: AAA00003594				MDL: -							
MTL: -											
BALDOR ELECTRIC Co.											
STD HORZ TEFC 35XPM NEMA 56C, CL I GP D, CL II GP F&G											