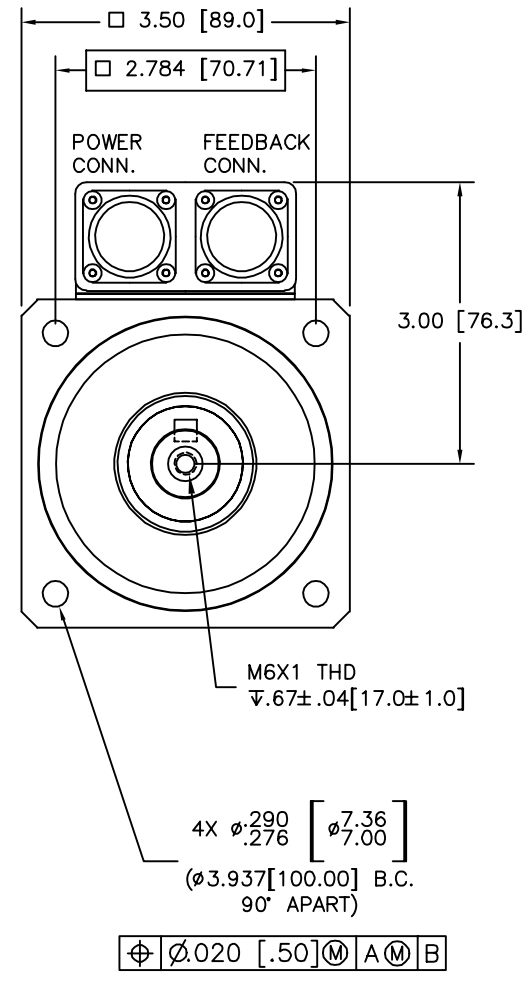
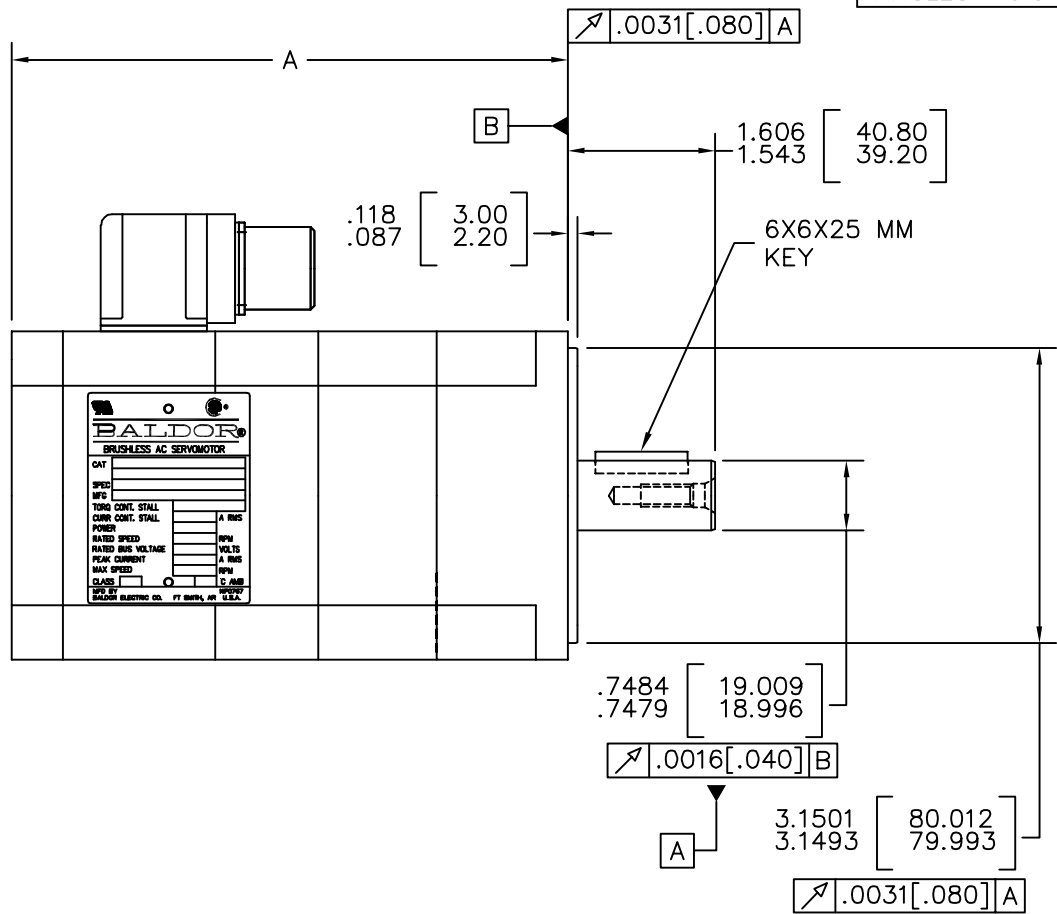
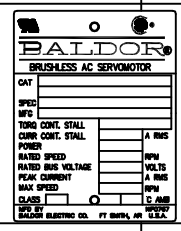


TOL UNLESS SPEC.
 2 PLC INCH DEC. =
 ±.06" [1.5mm]
 ANGLES ±0.5°



REFERENCE	CODE	A
BSM80A-1 & BSM80B-0	10	5.93 [150.7]
BSM80A-2 & BSM80B-1	20	7.18 [182.5]
BSM80A-3	30	8.43 [214.2]
BSM80B-2	32	8.68 [220.6]
BSM80B-3	44	10.18 [258.7]



CUST. NAME		CUST. P.O.		CERTIFIED BY		MODEL		INSUL		AMB			
H.P.		MTG		TYPE		R.P.M.		VOLTS		ENCL			
PHASE		FREQ		FRAME		REV. LTR: D BY: DMB REVISED: 04/20/00 11:02 TDR: 0198848							
REV. DESC: CONVERTED FROM 3D TO 2D DWG.		BALDOR ELECTRIC Co.						BSM80, D56M19D100, RESOLVER					
001P100													

S2LYP100