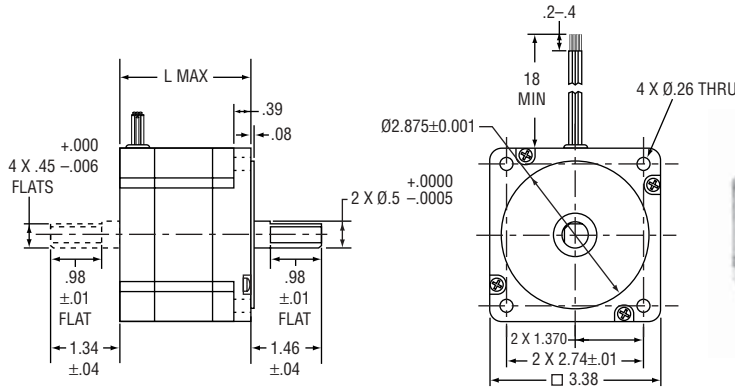




Hybrid Step Motors

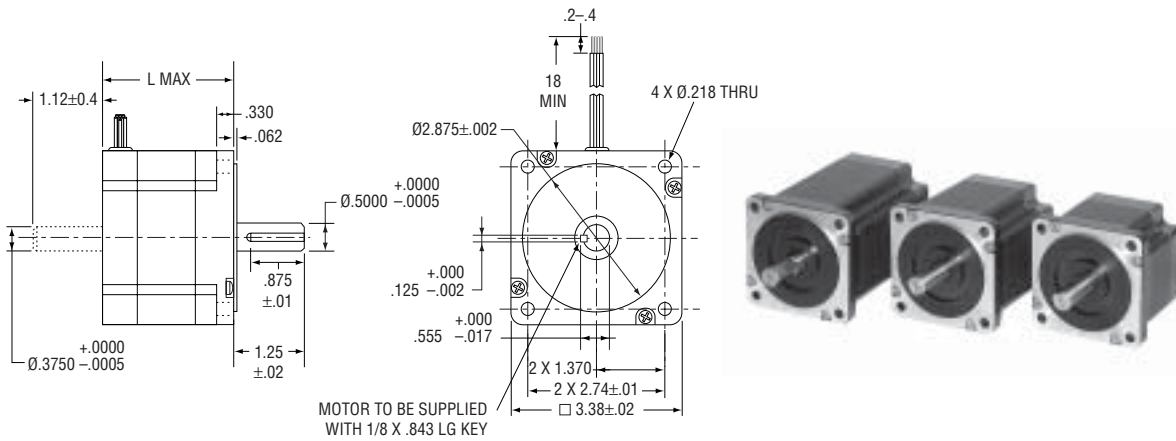
SIZE
HT
34



| Part # | MOTOR CONNECTION 1 = series 2 = parallel 3 = unipolar | Motor Length (inches) | Minimum Holding Torque (oz-in) | Leads | Step Angle | Electrical | | | | Rotor Inertia (oz-in ² /G-CM ²) | Motor Weight (Lbs.) |
|------------|--|--------------------------|-----------------------------------|-------|------------|------------|------|------|------|---|------------------------|
| | | | | | | Volts | Amps | Ohms | mH | | |
| * HT34-474 | 1 | 2.60 | 389 | 8 | 1.8 | 2.8 | 3.15 | 0.96 | 7.6 | 7.65/1400 | 4.00 |
| | 2 | ↓ | 389 | | | 1.4 | 6.3 | 0.24 | 1.9 | ↓ | ↓ |
| | 3 | ↓ | 278 | | | 2.0 | 4.5 | 0.48 | 1.9 | ↓ | ↓ |
| * HT34-476 | 1 | 3.78 | 855 | 8 | 1.8 | 3.92 | 3.15 | 1.32 | 12.0 | 14.8/2700 | 6.2 |
| | 2 | ↓ | 855 | | | 1.96 | 6.3 | 0.33 | 3.0 | ↓ | ↓ |
| | 3 | ↓ | 611 | | | 2.8 | 4.5 | 0.66 | 3.0 | ↓ | ↓ |
| * HT34-478 | 1 | 4.96 | 1284 | 8 | 1.8 | 5.3 | 2.8 | 1.94 | 22.0 | 27.9/4000 | 8.66 |
| | 2 | ↓ | 1284 | | | 2.7 | 5.6 | 0.49 | 5.5 | ↓ | ↓ |
| | 3 | ↓ | 917 | | | 3.8 | 4.0 | 0.97 | 5.5 | ↓ | ↓ |

OTHER LENGTHS AND WINDINGS AVAILABLE UPON REQUEST

- Part numbers listed are for single shaft. To order double shaft add 'D' to the end.
- All HT34 motors are optimized for microstepping.
- * Optimized for use with 160 volt drives.



| Part # | MOTOR CONNECTION 1 = series 2 = parallel 3 = unipolar | Motor Length (inches) | Minimum Holding Torque (oz-in) | Step Leads | Step Angle | Volts | Amps | Ohms | mH | Rotor Inertia (oz-in ² /G-CM ²) | Motor Weight (Lbs.) |
|----------|--|--------------------------|-----------------------------------|------------|------------|-------|------|------|-----|---|------------------------|
| | | | | | | | | | | | |
| HT34-485 | 1 | 3.11 | 650 | 8 | 1.8 | 3.2 | 4.3 | 0.76 | 5.2 | 7.8/1400 | 6.18 |
| | 2 | ↓ | 650 | ↓ | ↓ | 1.6 | 8.6 | 0.19 | 1.3 | ↓ | ↓ |
| | 3 | ↓ | 455 | ↓ | ↓ | 2.24 | 6.0 | 0.38 | 1.3 | ↓ | ↓ |
| HT34-486 | 1 | 4.63 | 1200 | ↓ | ↓ | 4.4 | 4.1 | 1.08 | 8.8 | 14.6/2680 | 8.4 |
| | 2 | ↓ | 1200 | ↓ | ↓ | 2.2 | 8.1 | 0.27 | 2.2 | ↓ | ↓ |
| | 3 | ↓ | 840 | ↓ | ↓ | 3.1 | 5.7 | 0.54 | 2.2 | ↓ | ↓ |
| HT34-487 | 1 | 6.14 | 1845 | ↓ | ↓ | 4.8 | 4.5 | 1.08 | 9.6 | 21.9/4000 | 11.9 |
| | 2 | ↓ | 1845 | ↓ | ↓ | 2.4 | 9.0 | 0.27 | 2.4 | ↓ | ↓ |
| | 3 | ↓ | 1290 | ↓ | ↓ | 3.4 | 6.3 | 0.54 | 2.4 | ↓ | ↓ |

OTHER LENGTHS AND WINDINGS AVAILABLE UPON REQUEST

- Part numbers listed are for single shaft. To order double shaft add 'D' to the end.
- All HT34 motors are optimized for microstepping.

