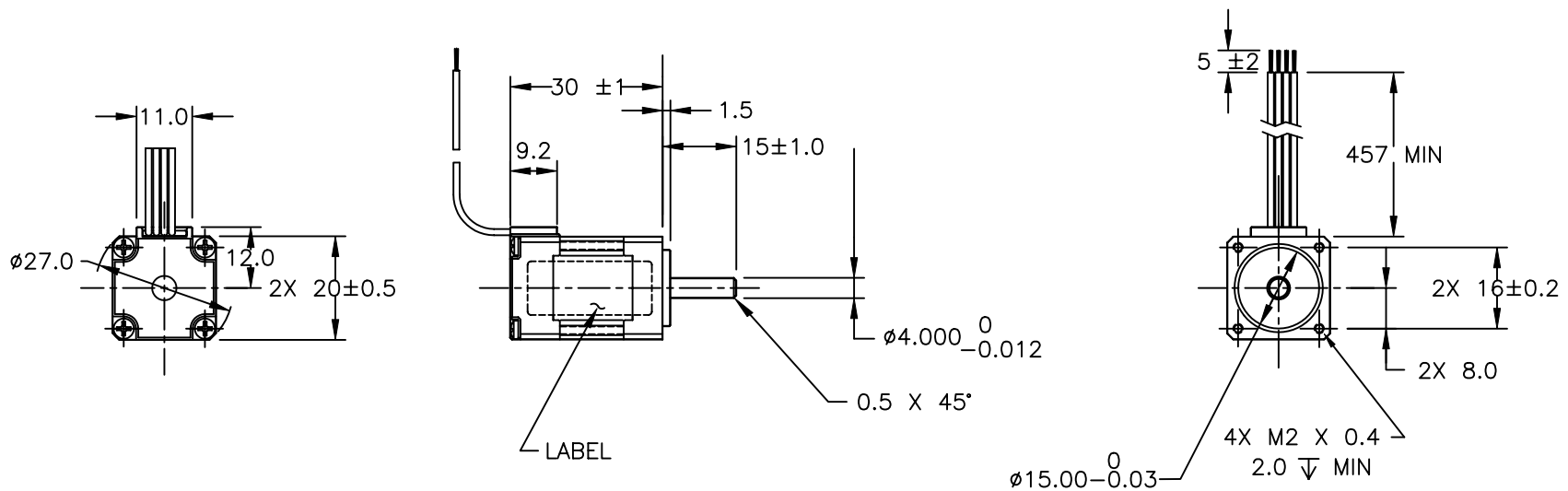
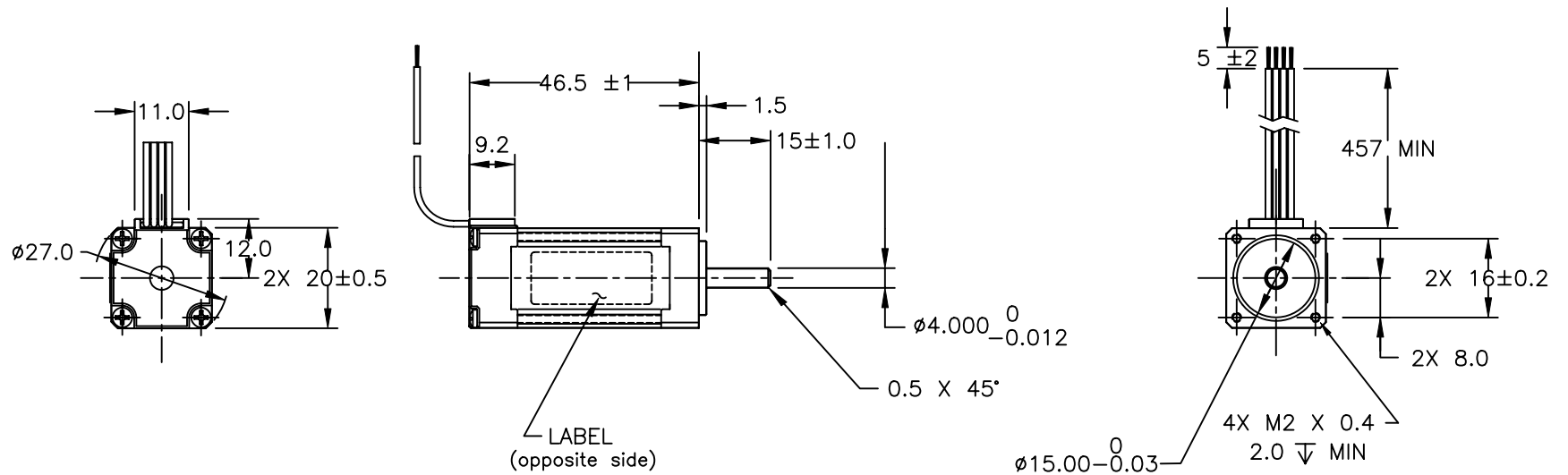


Sold by Servo Systems Co. 115 Main Road, P.O. Box 97, Montville, NJ 07045-0097  
 Toll Free: (800) 922-1103 Phone: (973) 335-1007 Fax: (973) 335-1661  
 www.servosystems.com



TOLERANCES		THIRD ANGLE PROJECTION		APPLIED MOTION PRODUCTS, INC.	
DECIMALS: MM (INCH) X.XXX = ±0.01 (.005) X.XX = ±0.10 (.010) X.X = ±0.20 (.020) ANGLES: MACH. = ±.5° CHAM. = ±5°				<b>STEP MOTOR OUTLINE</b>	
COMPUTER DATA BASE DRAWING		APPROVALS	DATE		
		DRAWN			REV A
		CHECKED			
		APPROVED			
SCALE: 1=1				SHEET 1 OF 1	

Sold by Servo Systems Co. 115 Main Road, P.O. Box 97, Montville, NJ 07045-0097  
 Toll Free: (800) 922-1103 Phone: (973) 335-1007 Fax: (973) 335-1661  
 www.servosystems.com



TOLERANCES		THIRD ANGLE PROJECTION		APPLIED MOTION PRODUCTS, INC.	
DECIMALS: MM (INCH) X.XXX = ±0.01 (.005) X.XX = ±0.10 (.010) X.X = ±0.20 (.020) ANGLES: MACH. = ±.5° CHAM. = ±5°				<b>STEP MOTOR OUTLINE</b>	
COMPUTER DATA BASE DRAWING		APPROVALS	DATE		
		DRAWN			REV A
		CHECKED			
		APPROVED			
SCALE: 1=1				SHEET 1 of 1	