

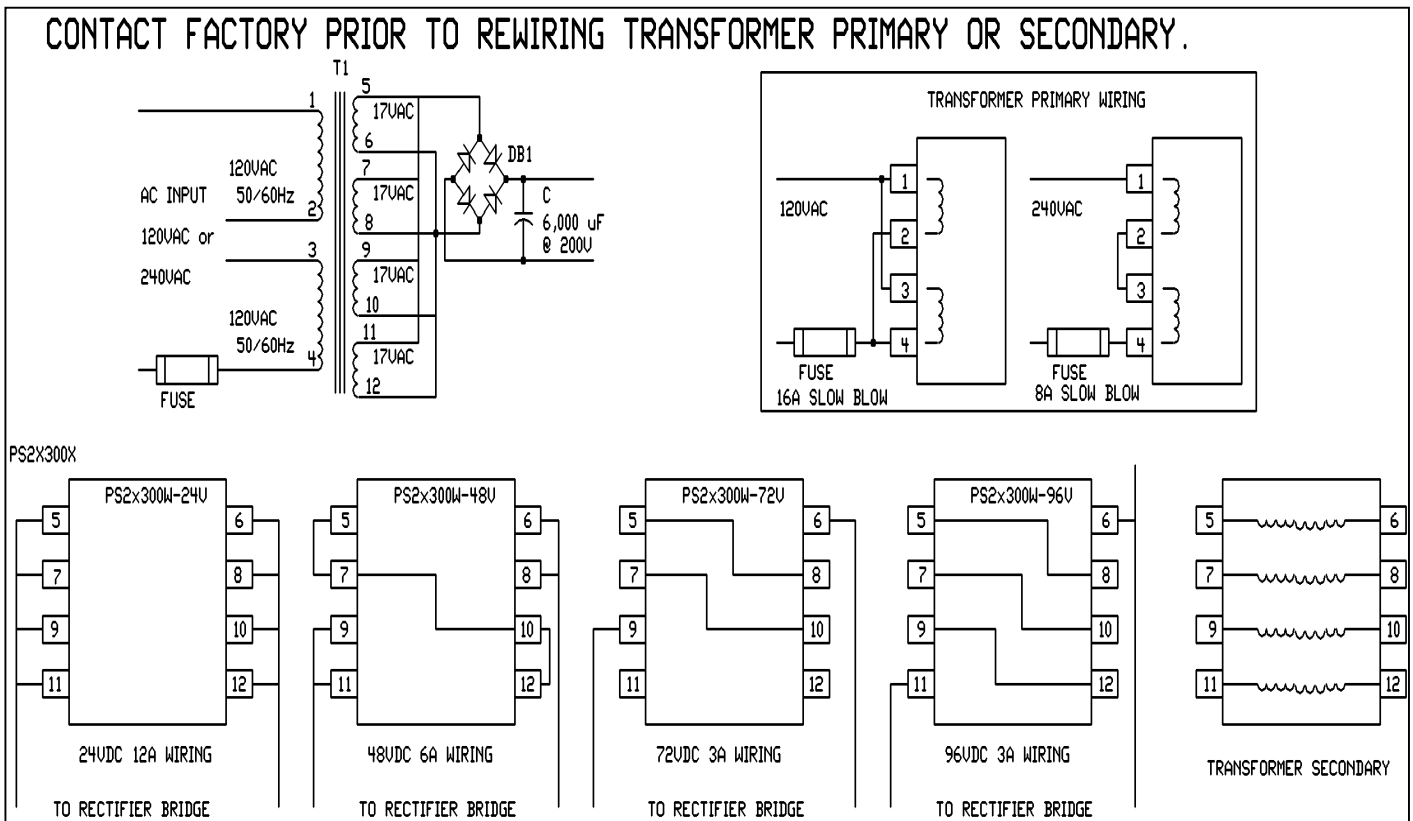
PS2X300W and PS4X300W SERIES POWER SUPPLIES

FEATURES:

- Multiple primary windings: either 120 VAC or 240 VAC, 50/60 Hz operation
- 24 VDC secondary output winding taps
- Low cost
- Agency approvals:



BLOCK DIAGRAM:



ADVANCED MOTION CONTROLS

3805 Calle Tecate, Camarillo, CA 93012 Tel: (805) 389-1935, Fax: (805) 389-1165

Power Supplies, Filter Cards & Shunt Regulators

DESCRIPTION: The PS2X300W and PS4X300W series unregulated power supplies have been designed to complement *ADVANCED MOTION CONTROLS'* servo amplifiers and to provide the user with a complete solution to single and multi-axes DC drive applications. These unregulated DC power sources are an acceptable solution for most applications as *ADVANCED MOTION CONTROLS'* servo amplifiers compensate for power supply output variations and AC ripple components. Series PS2X300W power supplies are designed to provide the best cost-per-watt value while mechanically hosting two of B15A, BE15A or 25A Series servo amplifiers. The PS4X300W power supplies are identical to the PS2X300W power supplies except they have an extended mounting plate to accommodate two additional drives. Both series have multiple primary windings for 120VAC and 240 VAC 50/60 Hz operation. These power supplies feature four identical secondary windings that can be connected in series or in parallel for different output voltages and currents.

		MODEL
MECHANICAL SPECIFICATIONS		PS2X300W and PS4X300W
AC INPUT CONNECTOR (female three prong plug)		AC cord (not supplied)
DC OUTPUT CONNECTOR		Flying Leads
SIZE		9.00 x 5.75 x 3.47 inches 228.6 x 146.1 x 88.1 mm
WEIGHT		9 lb. 4.1 Kg.

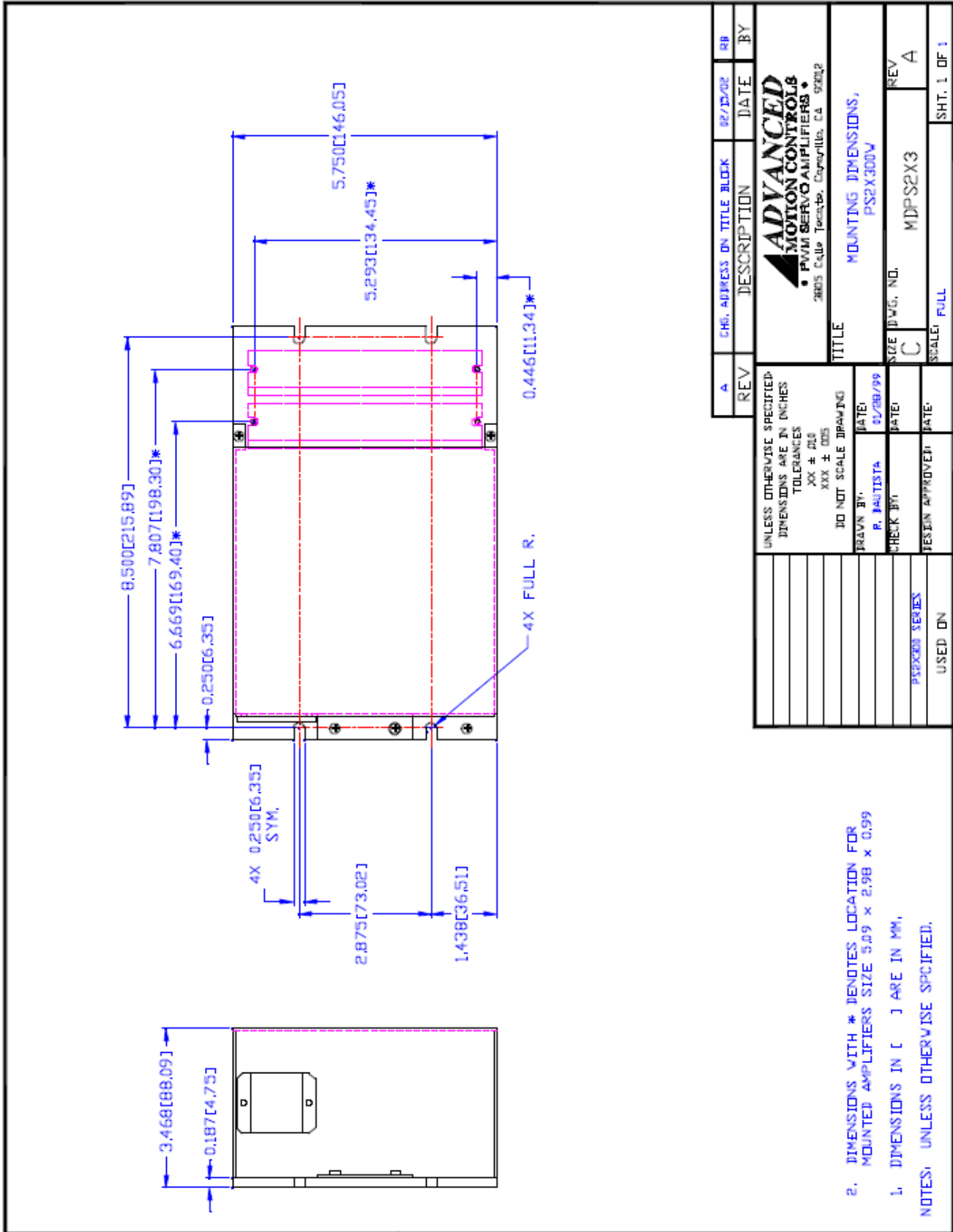
ORDERING INFORMATION:

AMC PART NUMBER			
Input Voltage (240VAC)	Input voltage (120VAC)	Output Voltage (VDC)	Nominal Output Current (Amps)
PS2X3H24	PS2X3W24	24	12
PS2X3H48	PS2X3W48	48	6
PS2X3H72	PS2X3W72	72	3
PS2X3H96	PS2X3W96	96	3

Designate PS4X... instead of PS2X... to order the PS4X300W series. Electrical ratings are identical.

MOUNTING DIMENSIONS:

PS2X300W



MOUNTING DIMENSIONS:

PS4X300W

