

PS1600W SERIES POWER SUPPLIES

Models: PS1600W, PS1600W-L

FEATURES:

- Multiple primary windings: either 120 VAC or 240 VAC, 50/60 Hz operation
- 30 VDC, 36 VDC or 40 VDC secondary output winding taps
- Low cost
- Agency approvals:



PS16L170-L



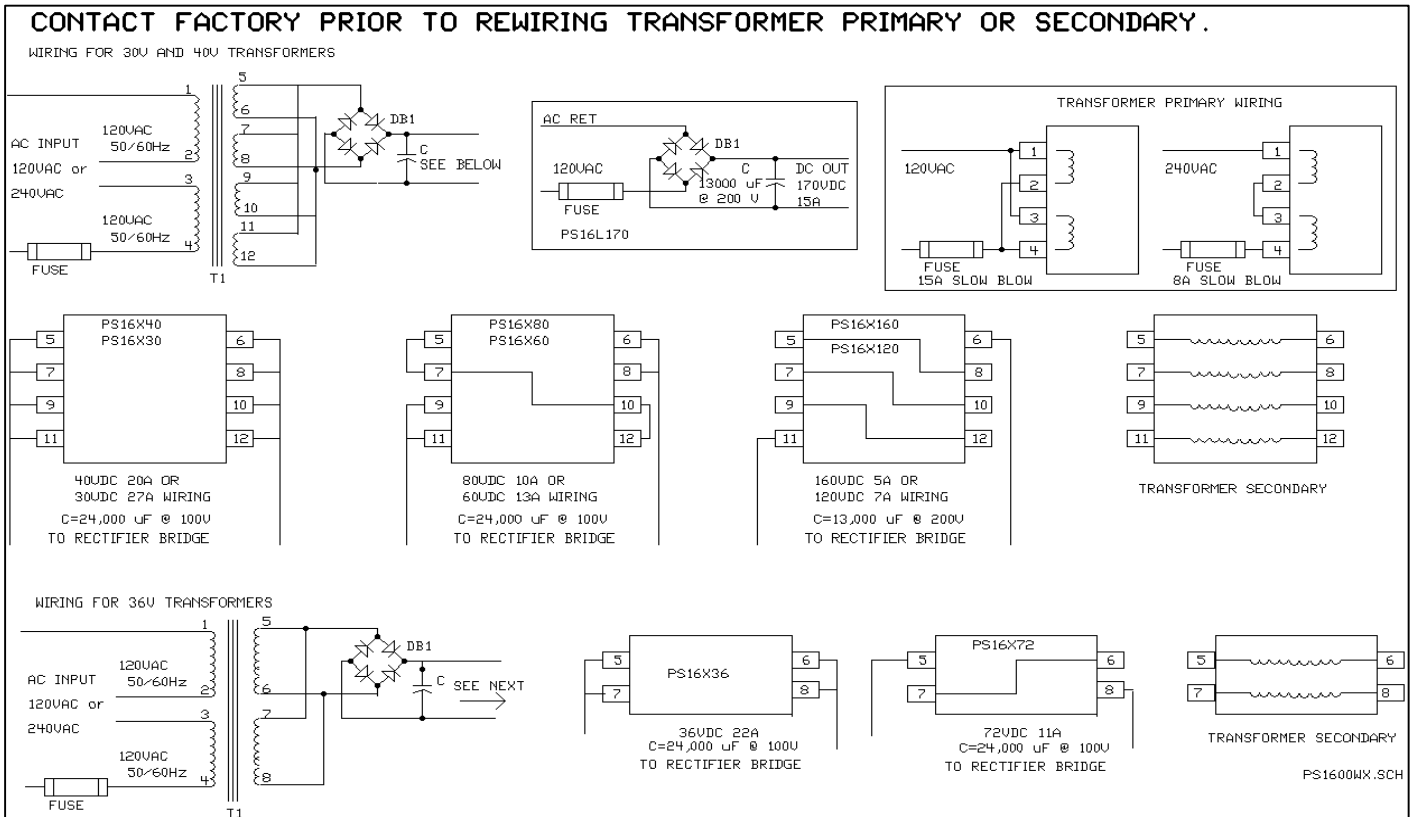
PS16L160-L or PS16H160-L



PS16L170



PS16L160 or PS16H160



DESCRIPTION: The series PS1600W unregulated power supplies have been designed to complement *ADVANCED MOTION CONTROLS'* servo amplifiers. Model PS1600W is mounted on a base plate for multi-axes applications. Model PS1600W-L is mounted on an "L" shaped bracket for single-axis applications. These unregulated DC power sources are an acceptable solution for most applications as *ADVANCED MOTION CONTROLS'* servo amplifiers compensate for power supply output variations and AC ripple components.

PS1600W Series power supplies are designed to provide the best cost-per-watt value. They have multiple windings for either 120 VAC (PS16L) or 240 VAC (PS16H) 50/60Hz operation. These power supplies incorporate either a 30V, 36V or a 40V output transformer. The 30V and 40V transformers have four identical secondary windings and the 36V transformers have two identical secondary windings. These windings can be connected in series or in parallel for different output voltages and currents.

MECHANICAL SPECIFICATIONS	MODEL	
	PS1600W	PS1600-L
AC INPUT CONNECTOR	Screw Terminals	AC cord supplied
DC OUTPUT CONNECTOR	Screw Terminals	Flying Leads
SIZE	13.00 x 10.50 x 6.00** inches 330.2 x 266.7 x 152.4** mm	10.00 x 4.94 x 5.70 inches 254 x 125.4 x 144.8 mm
WEIGHT	25 lb. 11.3 kg.	21 lb. 9.5 Kg.

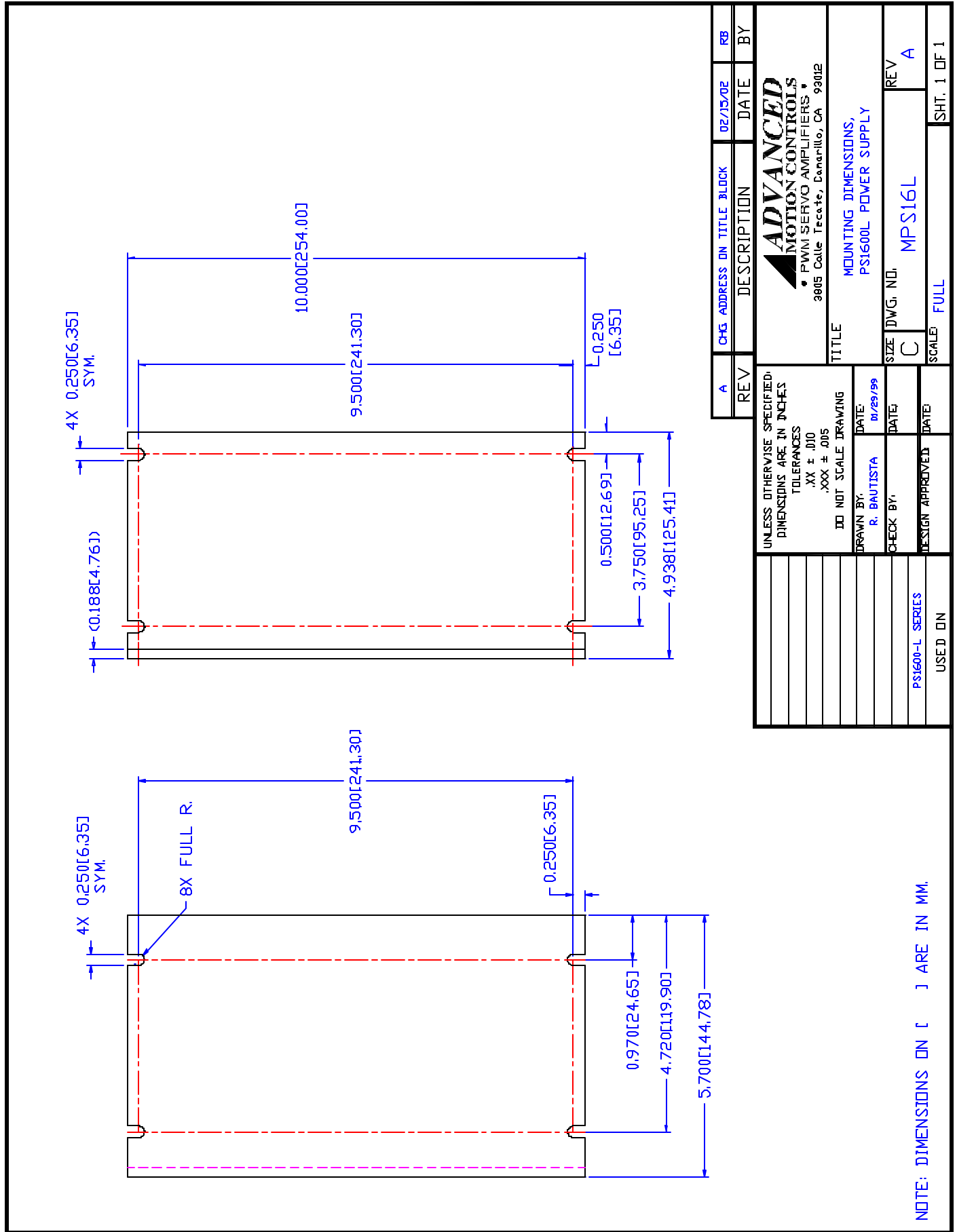
ORDERING INFORMATION:

AMC PART NUMBER*			
Input Voltage (120VAC)	Input Voltage (240VAC)	Output Voltage (VDC)	Nominal Output Current (Amps)
PS16L30	PS16H30	30	27
PS16L36	PS16H36	36	22
PS16L40	PS16H40	40	20
PS16L60	PS16H60	60	13
PS16L72	PS16H72	72	11
PS16L80	PS16H80	80	10
PS16L120	PS16H120	120	7
PS16L160	PS16H160	160	5
PS16L170	-	170	15

*For the L-bracket option, add a -L to each part number (e.g. PS16L40-L)

**Worst case height dimension. Height varies based on output voltage. See mounting dimensions for additional details.

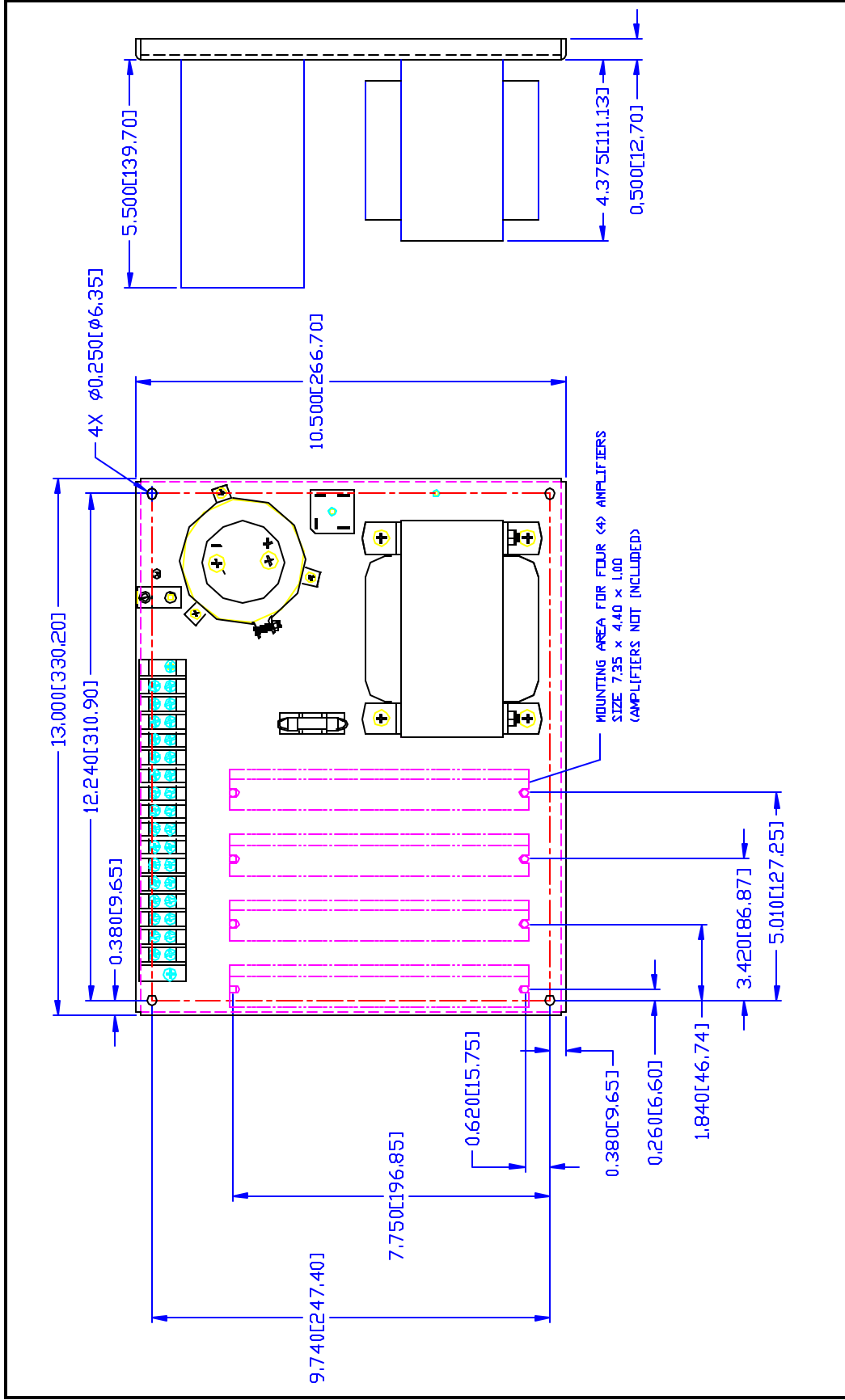
MOUNTING DIMENSIONS: See pages F-24 to F-26.



NOTE: DIMENSIONS ON [] ARE IN MM.

REV	CHG. ADDRESS ON TITLE BLOCK	DESCRIPTION	DATE	BY
A			02/15/02	RB

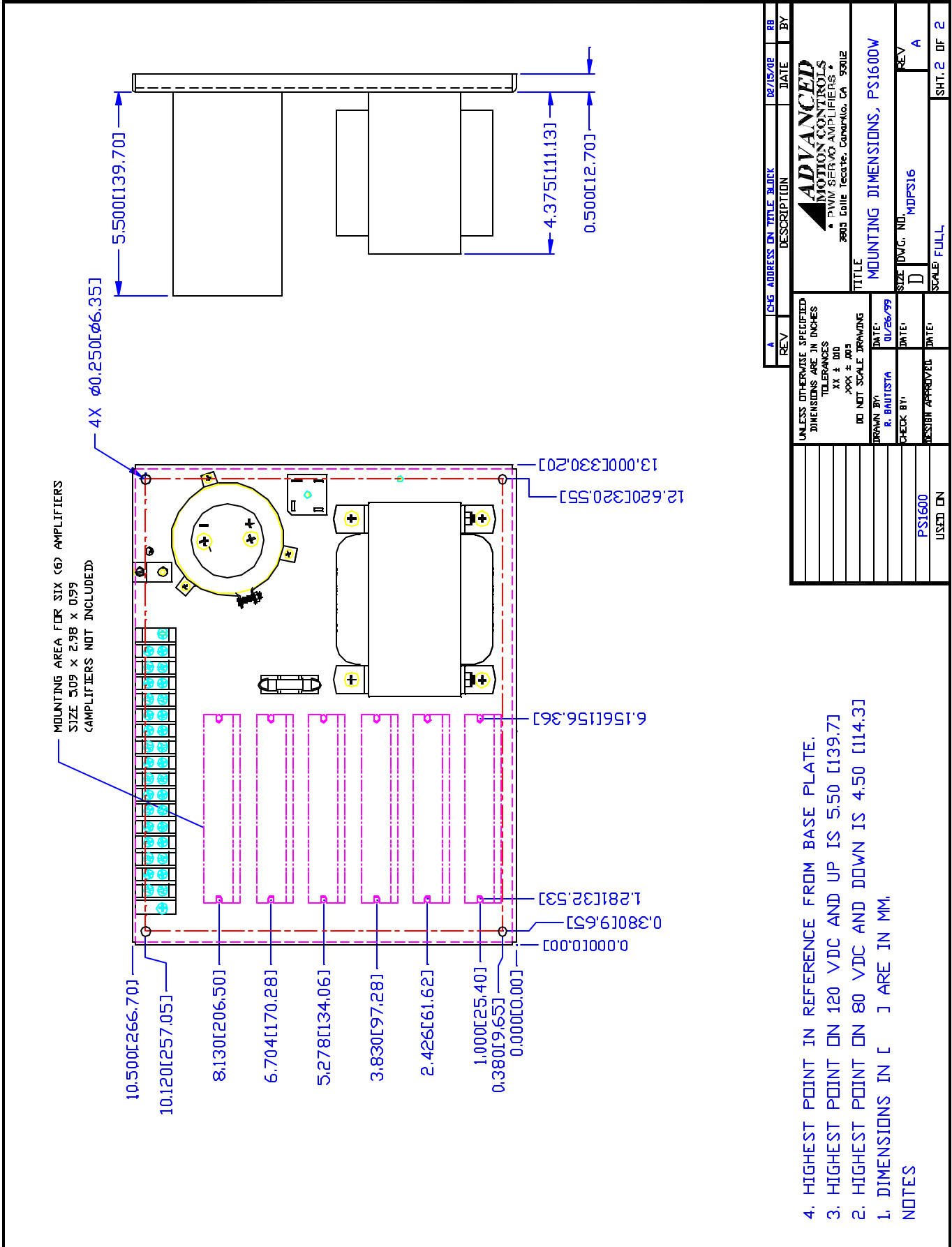
UNLESS OTHERWISE SPECIFIED, DIMENSIONS ARE IN INCHES TOLERANCES .XX ± .010 .XXX ± .005 DD NOT SCALE DRAWING		ADVANCED MOTION CONTROLS • PWM SERVO AMPLIFIERS • 3805 Calle Tecate, Danville, CA 93012	
DRAWN BY: R. BAUTISTA		DATE: 02/29/99	
CHECK BY:		DATE:	
DESIGN APPROVED:		DATE:	
USED ON PS1600-L SERIES		TITLE MOUNTING DIMENSIONS, PS1600L POWER SUPPLY	
SIZE C		DWG. NO. MPS16L	
SCALE FULL		REV A	
		SHT. 1 OF 1	



REV	CHANGE ADDRESS ON TITLE BLOCK	DESCRIPTION	DATE	BY
A				

UNLESS OTHERWISE SPECIFIED, DIMENSIONS ARE IN INCHES TOLERANCES .XX ± .010 .XXX ± .006 DO NOT SCALE DRAWING		ADVANCED MOTION CONTROLS - PUMP DRIVE AMPLIFIERS - 3000 Colton Terrace, Concord, CA 95012
DRAWN BY:	DATE:	TITLE:
R. BAUTISTA	04/26/99	MOUNTING DIMENSIONS, PS1600W
CHECK BY:	DATE:	SIZE DWG. NO:
		D
DESIGN APPROVED:	DATE:	SCALE:
		FULL
USED ON:		SHT. 1 OF 2

4. HIGHEST POINT IN REFERENCE FROM BASE PLATE SURFACE.
 3. HIGHEST POINT ON 120 VDC AND UP IS 5.50 [139.7]
 2. HIGHEST POINT ON 80 VDC AND DOWN IS 4.50 [114.3]
 1. DIMENSIONS IN [] ARE IN MM.
- NOTES



- NOTES
- HIGHEST POINT IN REFERENCE FROM BASE PLATE.
 - HIGHEST POINT ON 120 VDC AND UP IS 5.50 [139.7]
 - HIGHEST POINT ON 80 VDC AND DOWN IS 4.50 [114.3]
 - DIMENSIONS IN [] ARE IN MM.